

# How to install tX-USBexp with sCLK-48.0

## Product user guide

The combo of tX-USBexp and sCLK-48.0 leads the audio sound quality to the utmost. The sCLK-48.0 helps tX-USBexp to perform the higher level of detailed and accurate sound by purifying audio band jitter noise.

## Precaution

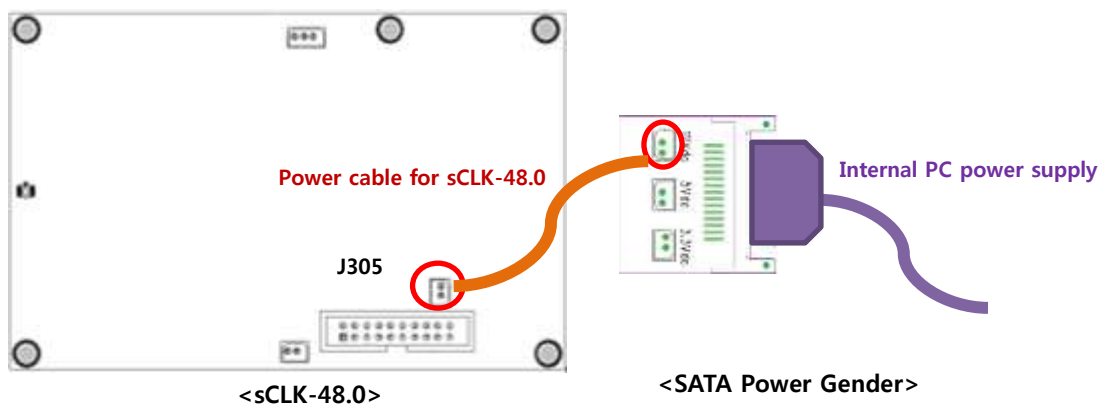
The combo includes the modified tX-USBexp kit, the original tX-USBexp can not be used with sCLK-48.0 without the special modification.

## Supplies

- tX-USBexp Kit
- sCLK-48.0 with bracket
- RF Cable for Clock Signal : 40cm
- SATA Power Gender
- Power Cable for sCLK-48.0 : 30cm

## How to install the combo

- 1 Install tX-USBexp
  - 1.1 Please refer to 'tX-USBexp operating instruction' to install tX-USBexp properly.
- 2 Install sCLK-48.0
  - 2.1 Put sCLK-48.0 with the bracket into the 3.5inch bay inside of PC.
  - 2.2 Power to sCLK-48.0 by the internal PC power supply
    - 2.2.1 Connect the supplied power cable for sCLK-48.0 from the J305 connector on sCLK-48.0 to 12Vdc connector on SATA Power Gender.
    - 2.2.2 Connect the internal PC power supply to the SATA Power Gender.



## How to install tX-USBexp with sCLK-48.0

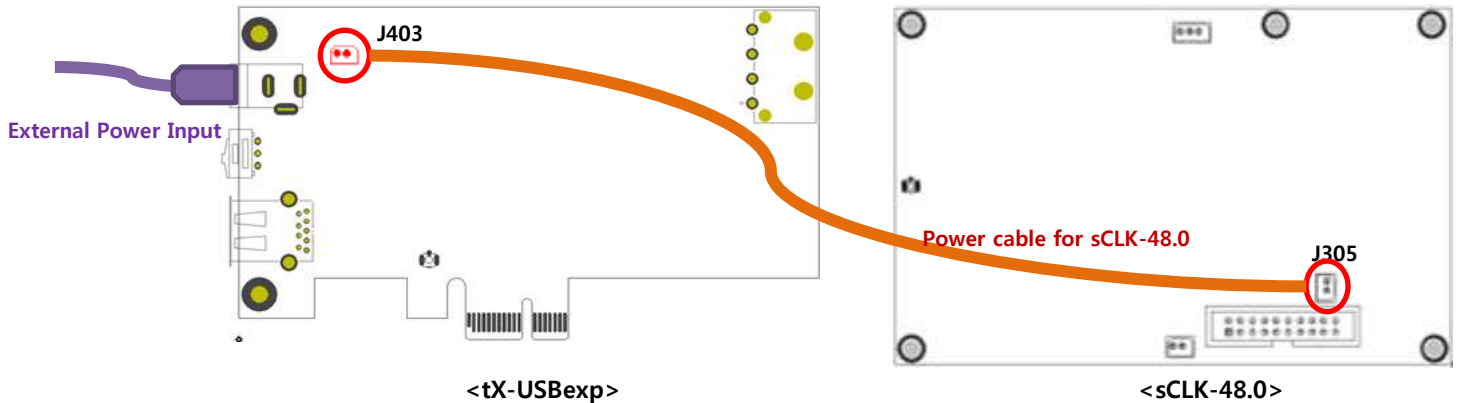
### 2.3 Using the external power

For using the external power to sCLK-48.0, the tX-USBexp should be connected to the external power.

And the internal 4pin power connection is recommended to be made for the safety use.

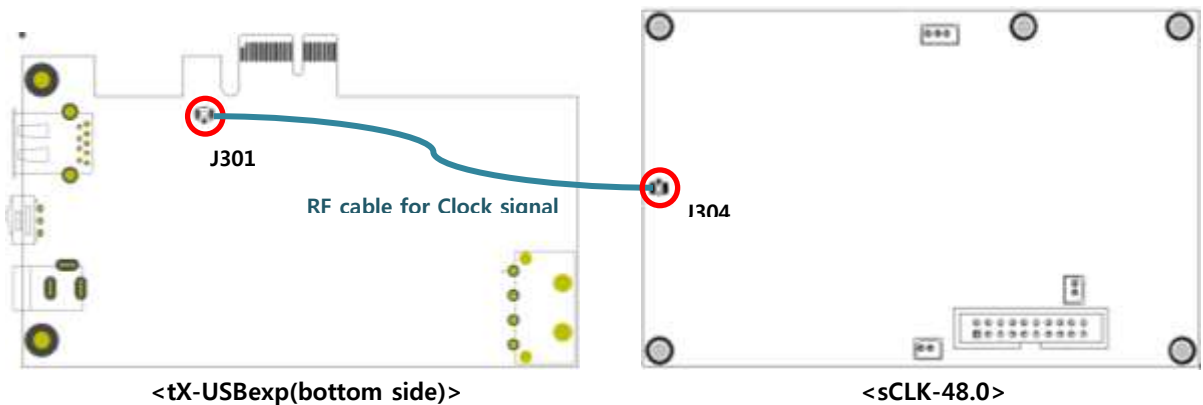
2.3.1 Connect the supplied power cable for sCLK-48.0 from the J305 connector on sCLK-48.0 to the J403 on tX-USBexp.

2.3.2 Connect the regulated 9V/2A external power to tX-USBexp.



### 3 Connect tX-USBexp and sCLK-48.0 by the RF cable

3.1 To transfer the clock signal, connect J301 RF connector on tX-USBexp to J304 RF connector on sCLK-48.0 by the supplied RF cable.



4 Close the PC case and power on the PC

5 If using Windows OS on your PC, install the windows driver accordingly.

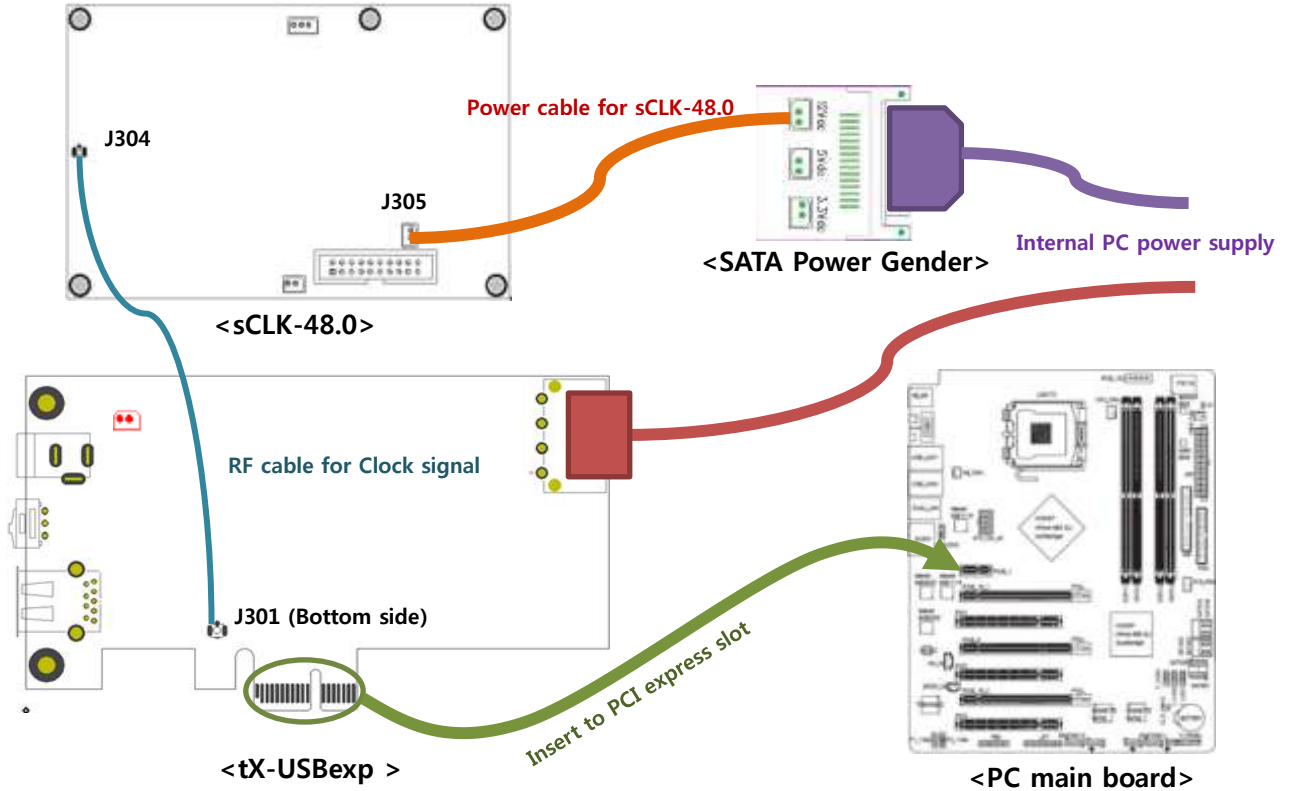
If using Linux OS on your PC, the driver installation is not required.

6 Connect tX-USBexp USB port to the USB audio device by USB cable and then use the combo.

# How to install tX-USBexp with sCLK-48.0

## Block Diagram

### ■ Using the internal PC power



### ■ Using the external power

