

Precaution

Please read this instruction carefully before use.

- Do not attempt to disassemble or modify the product.
- Keep the product away from the external shocks or vibrations.
- Do not use the damaged or peeled cables.
- Do not use the unit outdoors.
- Product specifications and features are subject to change without notice.

Warranty Information

- Free warranty service
 - In case of the defect is found caused by the design or the production flaw while using the device properly, a manufacturer is responsible for the faulty product and the free warranty service for 1 year from the date of purchasing.
 - Even in the warranty service period, malfunction or damage of products caused by the inevitable incident such as a natural disaster is not subject of the free warranty service.
- Warranty service at a cost
 - The product that free warranty service period is expired.
 - Malfunction of the product caused by a user's fault.
 - Malfunction of the product caused by incidents.
 - Malfunction of the product caused by a natural disaster such as earthquake, flood, lightning & etc.
 - In case of the warranty service at a cost, a customer should cover the transportation costs.
- Samples of a user's fault
 - In case of attempts to disassemble or modify the device
 - In case of not following the instructions on this manual
- Please read this operating instructions & Q&A board on our website carefully before asking for the warranty service.

Supplied components

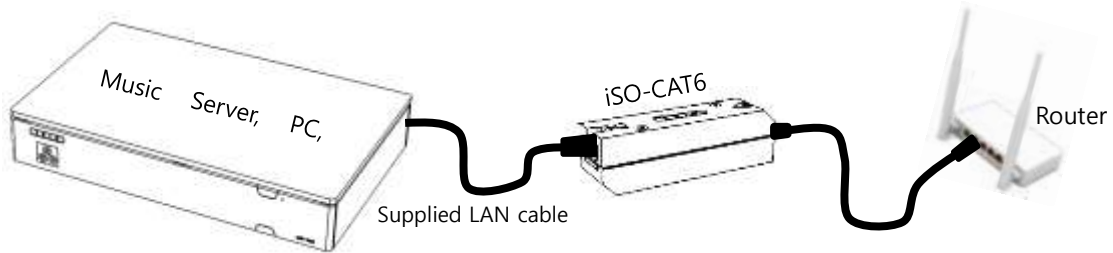
- ISO-CAT6 Unit
- LAN cable
- Operating Instruction



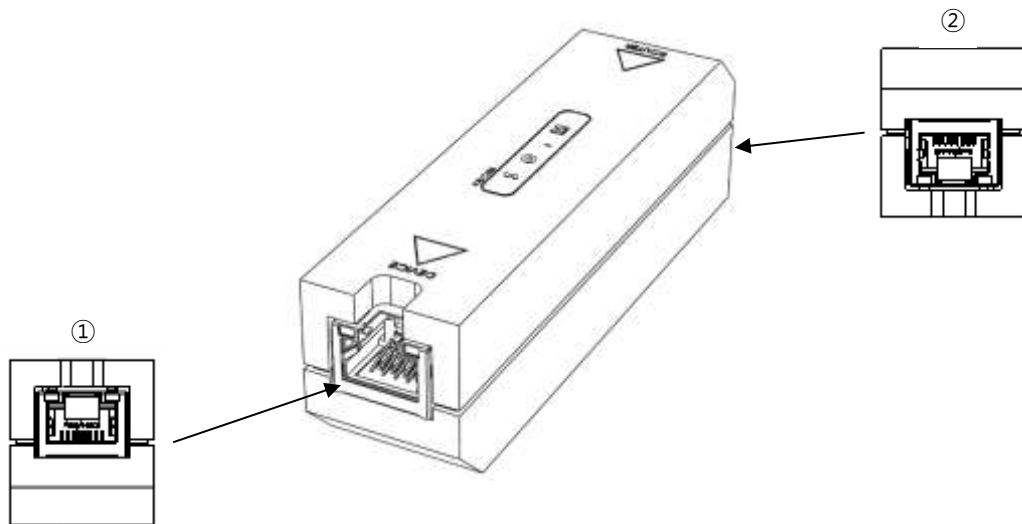
Ultimate High Performance Audio

Product user guide

- ISO-CAT6 is a LAN signal isolator to enhance the audio sound quality. By using the specially designed filter which isolates LAN signal and blocks noise, ISO-CAT6 extremely improves the sound quality.
- As the image below, connect the router to the ROUTER jack of ISO-CAT6 by the lan cable which was conncted to the device originally and connect the device(a music server, pc or NAS) to the DEVICE jack of ISO-CAT6 by the supplied LAN cable.
- **Please make sure that all connections must be made after turning off all devices.**



Product outline



- ① DEVICE Jack : Connect to a music server, PC or NAS by the supplied LAN cable.
- ② ROUTER Jack : Connect to a router or network hub by LAN cable.

Specification

- Isolator specification
 - CAT6 support
 - Fully shielded modular jack
 - High quality isolation transformer
 - Isolation 1500Vrms, 0.5mA, 60sec
- Others
 - High-end audio grade sound tuning
 - No need external power supply



Ultimate High Performance Audio